

Rof-QPD series

Four-quadrant photoelectric detection module

Rof-QPD series four-quadrant photoelectric detection module adopts imported four-quadrant photodiode, specially designed driving circuit and low noise amplifier.

It is mainly used for beam position measurement and precision Angle measurement, and the response wavelength covers 400-1700nm (400-1100nm) 800-1700nm).

product feature

- Spectral range: 400~1700nm
- PIN & APD detector
- Fast response
- Compact structure
- Integrated low noise amplifier and boost circuit parameter

Application field

- Angle measurement
- beam aiming
- optical communication between holes



Parameter

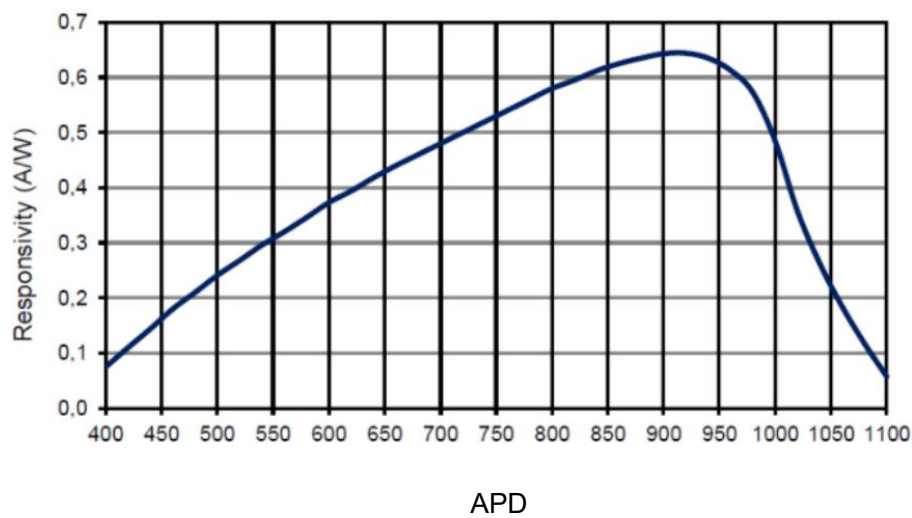
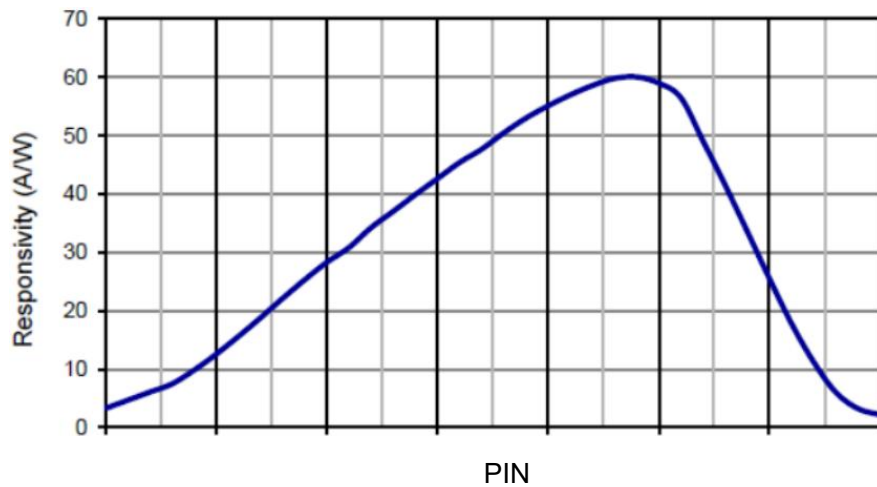
Parameter	sign	unit	model number		
			KG-QPD-A	KG-QPD-B	KG-QPD-C
Response wavelength		nm	400-1100		905
-3dB Bandwidth	BW	Hz	100	100	35M
Diameter of	Φ	mm	5.3	7.98	4
gap		um	70	42	11
Detector type			PIN		APD
Responsiveness	R	A/W	0.48@1064nm	0.64@900nm	58@905nm, M=100
Rise time	T	us	35	35	0.01
Dark current	I	nA	0.015	2	4
Gain	A	V/W	10K	10K	360K
Output impedance	R	Ω	50		
Output electrical			SMA(F)		
Coupling method			DC		
output amplitude		Vpp	3		
Operating voltage		V	12		



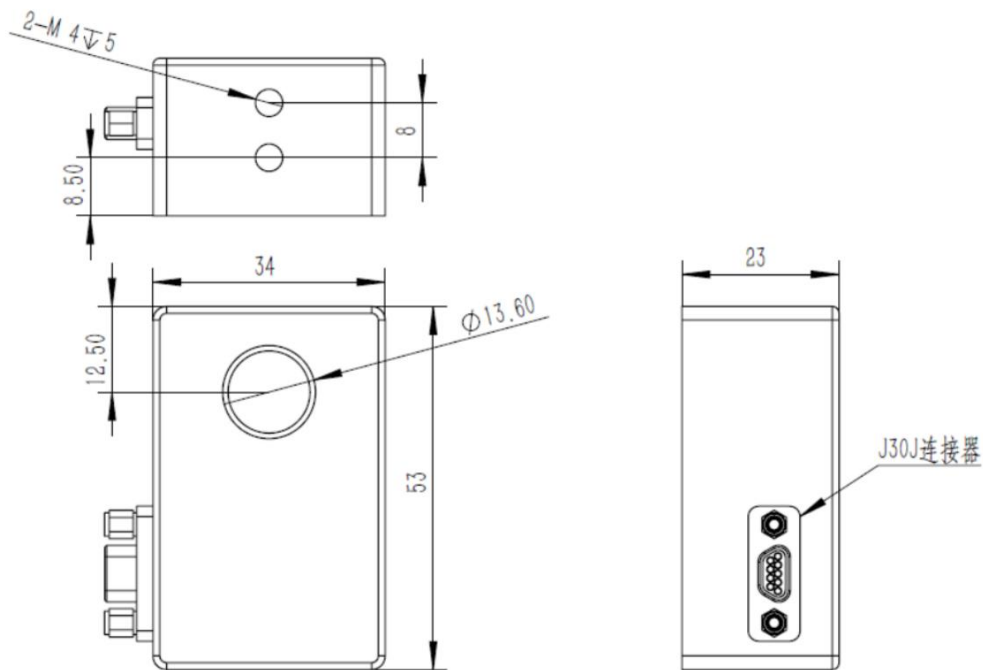
Limit Conditions

Parameter	Symbol	Unit	Min	Typ	Max
Input optical power	Pin	mW			10
Operating voltage	Vop	V	11.5		12.5
Operating temperature	Top	°C	-20		65
Storage temperature	Tst	°C	-40		85
Humidity	RH	%	5		90

Response curve



Package size



Ordering information

ROF	QPD	A
	Four-quadrant photoelectric detection module	Detector type: A: PD 5.3mm B: PD 7.98mm C: APD 4mm